

Available aspect ratios:

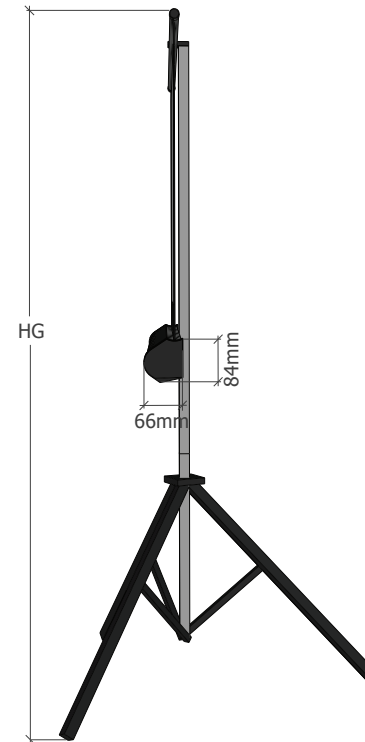
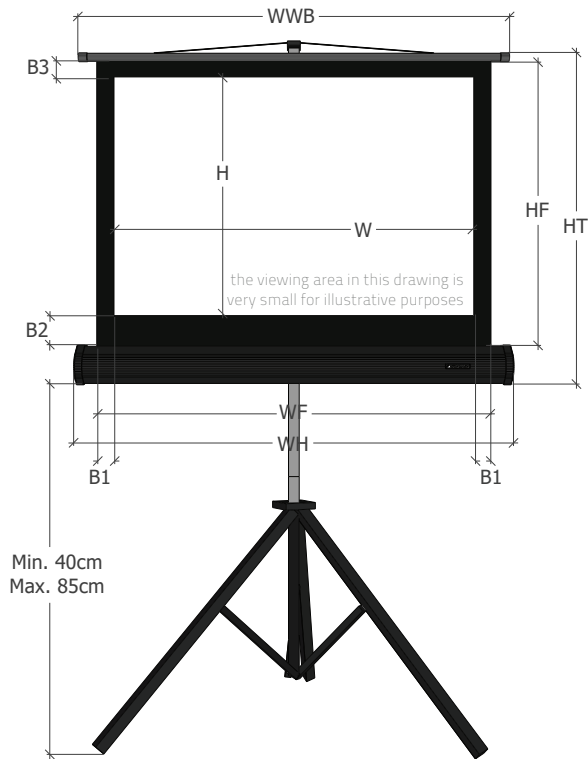
4:3

16:10

16:9

TRIPOD SERIES PROJECTION SCREENS

DATASHEET



| Model | Viewing area (WXH in cm) | Ratio | Viewing area diagonal | Black side borders (B1) | Black lower border (B2) | Black upper border (B3) | Total fabric size (WFxHF in cm) | Housing length (WH) | Total height (HT) | Weightbar length (WWB) | Total height from floor (HG) | Weight | Carton length |
|---------------|--------------------------|-------|-----------------------|-------------------------|-------------------------|-------------------------|---------------------------------|---------------------|-------------------|------------------------|------------------------------|---------|---------------|
| IV-S150_16-9 | 150,0 x 84,4 | 16:9 | 68 inch | 4 cm | 5,0 cm | 6 cm | 158,0 x 95,4 | 167,0 cm | 107,0 cm | 159,0 cm | Min 146cm / Max 191cm | 7,0 kg | 178 cm |
| IV-S170_16-9 | 170,0 x 95,6 | 16:9 | 77 inch | 4 cm | 5,0 cm | 6 cm | 178,0 x 106,6 | 187,0 cm | 118,0 cm | 179,0 cm | Min 158cm / Max 203cm | 8,0 kg | 200 cm |
| IV-S200_16-9 | 200,0 x 112,5 | 16:9 | 90 inch | 4 cm | 5,0 cm | 6 cm | 208,0 x 123,5 | 217,0 cm | 137,0 cm | 209,0 cm | Min 177cm / Max 222cm | 9,0 kg | 229 cm |
| IV-S250_16-9 | 244,0 x 137,3 | 16:9 | 110 inch | 4 cm | 5,0 cm | 6 cm | 252,0 x 148,3 | 261,0 cm | 162,0 cm | 253,0 cm | Min 200cm / Max 257cm | 10,0 kg | 272 cm |
| IV-S150_16-10 | 150,0 x 93,8 | 16:10 | 70 inch | 4 cm | 5,0 cm | 6 cm | 158,0 x 104,8 | 167,0 cm | 116,0 cm | 159,0 cm | Min 156cm / Max 201cm | 7,0 kg | 178 cm |
| IV-S170_16-10 | 170,0 x 106,3 | 16:10 | 79 inch | 4 cm | 5,0 cm | 6 cm | 178,0 x 117,3 | 187,0 cm | 128,0 cm | 179,0 cm | Min 168cm / Max 213cm | 8,0 kg | 200 cm |
| IV-S200_16-10 | 200,0 x 125,0 | 16:10 | 93 inch | 4 cm | 5,0 cm | 6 cm | 208,0 x 136,0 | 217,0 cm | 147,0 cm | 209,0 cm | Min 187cm / Max 232cm | 9,0 kg | 229 cm |
| IV-S250_16-10 | 244,0 x 152,5 | 16:10 | 113 inch | 4 cm | 5,0 cm | 6 cm | 252,0 x 163,5 | 261,0 cm | 175,0 cm | 253,0 cm | Min 215cm / Max 260cm | 10,0 kg | 272 cm |
| IV-S150_4-3 | 150,0 x 112,5 | 4:3 | 74 inch | 4 cm | 5,0 cm | 6 cm | 158,0 x 123,5 | 167,0 cm | 134,0 cm | 159,0 cm | Min 174cm / Max 219cm | 8,0 kg | 178 cm |
| IV-S170_4-3 | 170,0 x 127,5 | 4:3 | 84 inch | 4 cm | 5,0 cm | 6 cm | 178,0 x 138,5 | 187,0 cm | 150,0 cm | 179,0 cm | Min 190cm / Max 235cm | 9,0 kg | 200 cm |
| IV-S200_4-3 | 200,0 x 150,0 | 4:3 | 98 inch | 4 cm | 5,0 cm | 6 cm | 208,0 x 161,0 | 217,0 cm | 172,0 cm | 209,0 cm | Min 212cm / Max 257cm | 10,0 kg | 229 cm |
| IV-S250_4-3 | 244,0 x 183,0 | 4:3 | 120 inch | 4 cm | 5,0 cm | 6 cm | 252,0 x 194,0 | 265,0 cm | 206,0 cm | 253,0 cm | Min 246cm / Max 291cm | 11,0 kg | 273 cm |